

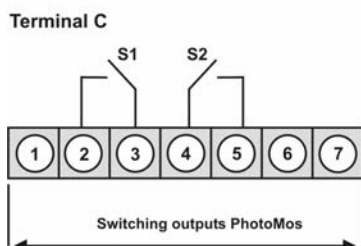
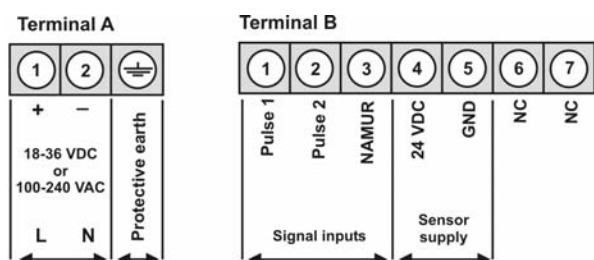
MG – 4-digit large size displays for indoor use

Two frequency inputs 0.01Hz to 100 kHz or designed for connection of Namur/3-wire NPN/PNP-sensors

- red display of -999...9999 Digits (optional 5-6 digits)
- digit height 57 mm or 100 mm, 200 mm on demand
- Aluminium profile housing, protection class IP65
- frequency metering on two channels
- both scaled input signals can be freely calculated
- taring, reciprocal display and frequency division are possible with an one-channel metering
- each frequency channel can be linearised via 10 additional supporting points
- frequency input signal from 6 to 30 VDC are possible (TTL on demand)
- presetting of the frequency range in increments of 10 power
- measuring time/display time is free selectable from 0.1s to 10s
- switching contacts to adjustable threshold values
- on demand: outdoor devices with ultra-bright LED and heating



Built-on enclosure



	Supply	Order number (without options)	EUR
57 mm	100-240 VAC	MG-AFR41.0307.S10BD1	750,00
57 mm	18-36 VDC	MG-AFR41.0307.710BD1	840,00
100 mm	100-240 VAC	MG-AFR42.0307.S10BD1	1040,00
100 mm	18-36 VDC	MG-AFR42.0307.710BD1	1130,00

Panel housing

Drawing follows

57 mm	100-240 VAC	MG-BVR41.0001.S10BD3	750,00
57 mm	18-36 VDC	MG-BVR41.0001.710BD3	840,00
100 mm	100-240 VAC	MG-BVR42.0001.S10BD3	1040,00
100 mm	18-36 VDC	MG-BVR42.0001.710BD3	1130,00

Order key options

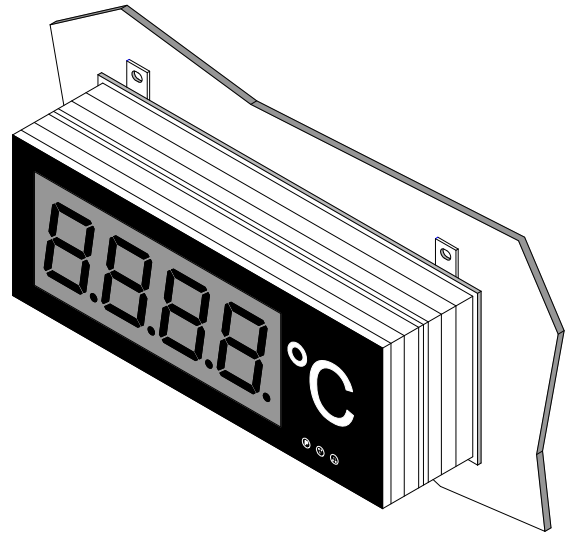
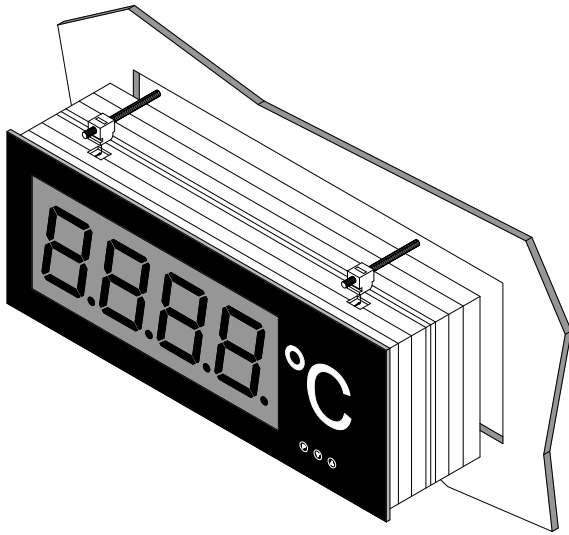
M	G	-	A	F	R	4	X.	0	3	0	7.	X	1	0	B	D	1	Built-on enclosure		
M	G	-	B	F	R	4	X.	0	3	0	7.	X	1	0	B	D	3	Panel housing	EUR	
																		5	200 mm LED	on request
																		X	Number of digits: 3-digits, 5-6 digits	on request
																		G	Green LED	
																		X	Further device types	on request

State physical unit by order on demand, e.g. U/min.

• Technical data

Dimensions	Built-on enclosure	57 mm display: 316 mm x 124 mm x 82 mm (WxHxD) 100 mm display: 526 mm x 176 mm x 82 mm (WxHxD)
	Fixing	via fixing flange at the back
	Housing material Protection	Aluminium, black, powder-coated IP65
Connection	Type of plug	circular plug-in connector Binder-Series 693
	Cable admission	PG9 (6.0 ... 9.5 mm)
	Protection class	IP65
	Mechanic durability	> 500 contact durability
	Connection type	screws
Terminal A	Number of poles	3 + PE
	Cable cross section	0.5...2.5 mm (AWG 20...14)
	Rating voltage	400 V
	Rating current	12 A
Terminal B & C	Number of poles	7
	Cable cross section	0.34...1.5 mm (AWG 22...16)
	Rating voltage	250 V
	Rating current	8 A
Dimensions	Panel housing	57 mm display: W 316 mm x H 124 mm x D 104 mm 100 mm display: W 526 mm x H 176 mm x D 104 mm
	Panel cut-out	57 mm display: W 310.0 x H 118.0 ^{+/-0.5} mm 100 mm display: W 520.0 x H 176.0 ^{+/-0.5} mm
	Fixing	Screw-/clamp fixing
	Housing material	Aluminium, black, powder-coated
	Protection	Front IP65, Connection IP00
Connection	Terminal type	15-pole removable screw clamp for inputs and outputs for conductor diameter up to 1.5 mm ²
Weight	57 mm display	approx. 3.0 kg
	100 mm display	approx. 5.0 kg
Display	Display	7-segment LED
	Digit height	57 mm, 100 mm
	Segment colour	red
	Number of digits	4 digits
	Display range	0...9999
	Overflow	Indication of horizontal bars at the top
	Underflow	Indication of horizontal at the bottom
	Display time	0.1...10.0 seconds
	Area	Indoor
Input	Pulse input	max. 30 VDC/3 mA
	Threshold	LOW < 4 VDC / HIGH > 6 VDC
	Frequency rang	0.01 HZ... 100 kHz
	Measuring time	0.1...10.0 seconds
	Meas.principle	pulse sum modulation / pulse width modulation
	Metering time period	< 10 µs
Memory	EEPROM	Data life > 20 years
Output	Sensor supply	24 VDC / 50 mA galv. isolated
	Namur supply	1.5 mA
	Switching points (Closer)	30 VAC / 0.4 A – 30 VDC / 0.4 A
	PhotoMos	Input/Output dielectric strength 100 VAC
Memory	EEPROM	Data life > 20 years
Power unit	Power supply	100-240 VAC nominal voltage ±10%, 50/60 Hz 18-36 VDC, galv. isolated
	Power consumption	max. 30 VA
Ambient conditions	Working temperature	0...60°C
	Storing temperature	-20...80°C
	Climatic resistance	rel. humidity ≤ 75 % on year average without dew
EMV	EN 61326	
CE-sign	conformity to 2014/30/EU	
Safety standard	according to low voltage directive 2014/35/EU; EN61010; EN 60664-1	

- **Assembly picture for panel and built-on enclosure**



- **Dimensions**

57 mm display

Number of digits	Length L	Length LA	Height H	Height HA
3-digit with dimension	268 mm	262 mm	124 mm	118 mm
4-digit with dimension	316 mm	310 mm		
5-digit with dimension	364 mm	358 mm		
6-digit with dimension	412 mm	406 mm		

100 mm display

Number of digits	Length L	Length LA	Height H	Height HA
3-digit with dimension	436 mm	430 mm	176 mm	170 mm
4-digit with dimension	526 mm	520 mm		
5-digit with dimension	616 mm	610 mm		
6-digit with dimension	706 mm	700 mm		

