

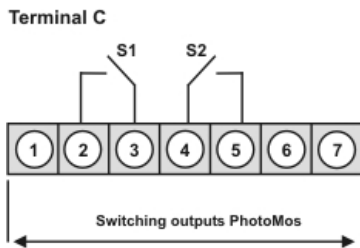
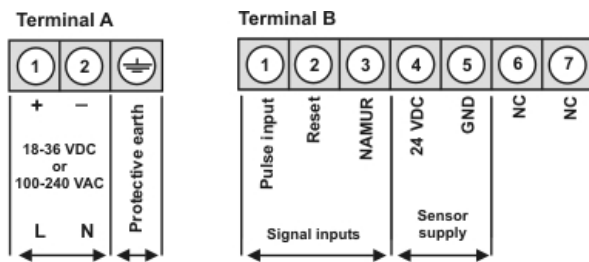
MG – 4-digit large size displays for indoor use

Counter

- red display of 0...9999 Digits (optional 5-8 digits)
- digit height 57 mm or 100 mm, 200 mm on demand
- Aluminium profile housing, protection class IP65
- built-on devices or panel meter
- pulse counter with display factor and reset
- timer with start-/stop-/reset-function
- timer increments of 10ms up to 999999s adjustable
- counter value storage in case of power failure and malfunction
- adjustable forwards and backwards counting with initial value
- adjustable rising edge detection
- adjustable pulse attenuation to 30Hz, normally 10kHz
- input for Namur- and 3-wire-sensors
- switching contacts onto adjustable threshold values or pulse parts
- on demand: outdoor devices with ultra-bright LED and heating

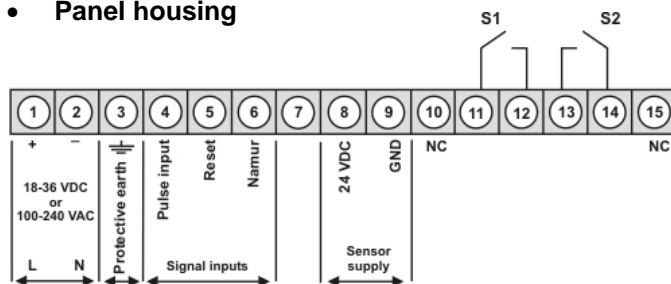


Built-on enclosure



| | Supply | Order number (without options) | EUR |
|--------|-------------|-----------------------------------|----------------|
| 57 mm | 100-240 VAC | MG-ACR41.0303.S12BD1 | 750,00 |
| 57 mm | 18-36 VDC | MG-ACR41.0303.712BD1 | 840,00 |
| 100 mm | 100-240 VAC | MG-ACR42.0303.S12BD1 | 1040,00 |
| 100 mm | 18-36 VDC | MG-ACR42.0303.712BD1 | 1130,00 |

Panel housing



| | | | |
|--------|-------------|-----------------------------|----------------|
| 57 mm | 100-240 VAC | MG-BCR41.0303.S12BD3 | 750,00 |
| 57 mm | 18-36 VDC | MG-BCR41.0303.712BD3 | 840,00 |
| 100 mm | 100-240 VAC | MG-BCR42.0303.S12BD3 | 1040,00 |
| 100 mm | 18-36 VDC | MG-BCR42.0303.712BD3 | 1130,00 |

Order key options

| M | G | - | A | C | R | 4 | X. | 0 | 3 | 0 | 3. | X | 1 | 2 | B | D | 1 | Built-on enclosure | EUR | |
|---|---|---|---|---|---|---|----|---|---|---|----|---|---|---|---|---|---|--------------------|------------------------------|------------|
| M | G | - | B | C | R | 4 | X. | 0 | 3 | 0 | 3. | X | 1 | 2 | B | D | 3 | Panel housing | | |
| | | | | | | | | | | | | | | | | | | 5 | 200 mm LED | on request |
| | | | | | | | | | | | | | | | | | | X | Number of digits: 5-8 digits | on request |
| | | | | | | | | | | | | | | | | | | G | Green LED | |
| | | | | | | | | | | | | | | | | | | X | Further device types | on request |

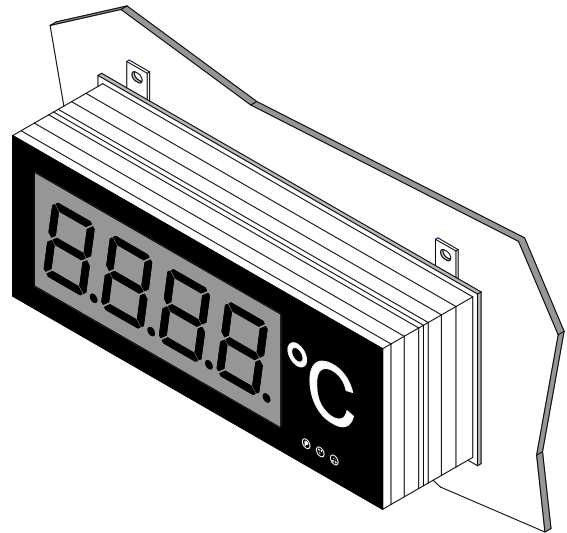
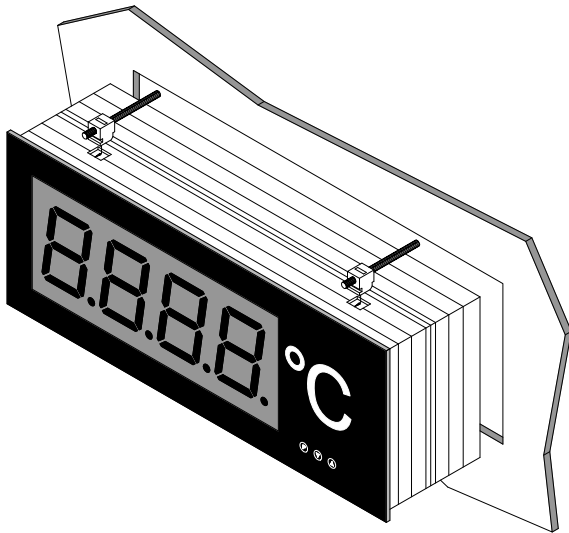
State physical unit by order on demand, e.g. kg.

Large-size displays

• Technical data

| | | |
|---------------------------|--|---|
| Dimensions | Built-on housing | 57 mm display: 316 mm x 124 mm x 82 mm (WxHxD) 100 mm display: 526 mm x 176 mm x 82 mm (WxHxD) |
| | Fixing | via fixing flange at the back |
| | Housing material Protection | Aluminium, black, powder-coated IP65 |
| Connection | Type of plug | circular plug-in connector Binder-Series 693 |
| | Cable admission | PG9 (6.0 ... 9.5 mm) |
| | Protection class | IP65 |
| | Mechanic durability Connection type | > 500 contact durability screws |
| Terminal A | Number of poles | 3 + PE |
| | Cable cross section | 0.5...2.5 mm (AWG 20...14) |
| | Rating voltage | 400 V |
| | Rating current | 12 A |
| Terminal B & C | Number of poles | 7 |
| | Cable cross section | 0.34...1.5 mm (AWG 22...16) |
| | Rating voltage | 250 V |
| | Rating current | 8 A |
| Dimensions | Panel housing | 57 mm display: W 316 mm x H 124 mm x D 104 mm 100 mm display: W 526 mm x H 176 mm x D 104 mm |
| | Panel cut-out | 57 mm display: W 310.0 x H 118.0 ^{+/-0.5} mm 100 mm display: W 520.0 x H 176.0 ^{+/-0.5} mm |
| | Fixing | screw-/clamp fixing |
| | Housing material | Aluminium, black, powder-coated |
| | Protection | Front IP65, Connection IP00 |
| Connection | Terminal type | 15-pole removable screw clamp for in- and outputs for conductor diameter up to 1.5 mm ² |
| Weight | 57 mm display | approx. 3.0 kg |
| | 100 mm display | approx. 5.0 kg |
| Display | Display | 7-segment LED |
| | Digit height | 57 mm, 100 mm |
| | Segment colour | red |
| | Number of digits | 4 digits |
| | Display range | -999...9999 |
| | Overflow | indication of horizontal bars at the top |
| | Underflow | indication of horizontal at the bottom |
| | Display time Area | 0.1...10.0 seconds Indoor |
| Input | Pulse rate | 10.000 pulses/s max 30 pulses at active attenuation |
| | Input resistance | approx. 5 kOhm |
| | Input voltage | ± 5...24 V |
| | HIGH-/LOW-level | ≥ 6V / <4V |
| Output | Sensor supply | 24 VDC/50 mA galv. isolated |
| | Switching points (closer) | 30 VAC/0.4 A-30 VDC/0,4A |
| | PhotoMos | Input/Output dielectric strength |
| Memory | EEPROM | Data life > 20 years |
| Power unit | Power supply | 100-240 VAC nominal voltage ±10%, 50/60 Hz 18-36 VDC, galv. isolated |
| | Power consumption | max. 30 VA |
| Ambient conditions | Working temperature | 0...60°C |
| | Storing temperature | -20...80°C |
| | Climatic resistance | rel. humidity ≤ 75 % on year average without dew |
| EMV | EN 61326 | |
| CE-sign | conformity to 2014/30/EU | |
| Safety standard | according to low voltage directive 2014/35/EU; EN61010; EN 60664-1 | |

- Assembly picture for panel and built-on enclosures



- Dimensions

57 mm display

| Number of digits | Length L | Length LA | Height H | Height HA |
|------------------------|----------|-----------|----------|-----------|
| 3-digit with dimension | 268mm | 262mm | 124mm | 118mm |
| 4-digit with dimension | 316mm | 310mm | | |
| 5-digit with dimension | 364mm | 358mm | | |
| 6-digit with dimension | 412mm | 406mm | | |
| 7-digit with dimension | 460mm | 454mm | | |

100 mm display

| Number of digits | Length L | Length LA | Height H | Height HA |
|------------------------|----------|-----------|----------|-----------|
| 3-digit with dimension | 436mm | 430mm | 176mm | 170mm |
| 4-digit with dimension | 526mm | 520mm | | |
| 5-digit with dimension | 616mm | 610mm | | |
| 6-digit with dimension | 706mm | 700mm | | |
| 7-digit with dimension | 796mm | 790mm | | |

• Order code

| | | | | | | | | | | | | | | | | | |
|---|-------------|----|---|---|---|---|----|---|---|---|----|---|---|---|---|---|---|
| | M | G- | A | C | R | 4 | 1. | 0 | 3 | 0 | 3. | 7 | 1 | 0 | B | D | 1 |
| Standard type M-line | | | | | | | | | | | | | | | | | |
| Large size display - indoor | | | | | | | | | | | | | | | | | |
| Housing designs | | | | | | | | | | | | | | | | | |
| Built-on housing | A | | | | | | | | | | | | | | | | |
| Panel housing | B | | | | | | | | | | | | | | | | |
| Suspendend/onesided | C | | | | | | | | | | | | | | | | |
| Suspendend/double-sided | D | | | | | | | | | | | | | | | | |
| Upright | E | | | | | | | | | | | | | | | | |
| Portable | T | | | | | | | | | | | | | | | | |
| Stainless steel housing | V | | | | | | | | | | | | | | | | |
| | } on demand | | | | | | | | | | | | | | | | |
| Display type | | | | | | | | | | | | | | | | | |
| Counter | C | | | | | | | | | | | | | | | | |
| Display colour | | | | | | | | | | | | | | | | | |
| green LED | G | | | | | | | | | | | | | | | | |
| red LED | R | | | | | | | | | | | | | | | | |
| Number of digits | | | | | | | | | | | | | | | | | |
| 4-digit | 4 | | | | | | | | | | | | | | | | |
| 5-digit | 5 | | | | | | | | | | | | | | | | |
| 6-digit | 6 | | | | | | | | | | | | | | | | |
| 8-digit | 8 | | | | | | | | | | | | | | | | |
| Digit height | | | | | | | | | | | | | | | | | |
| 57 mm LED | 1 | | | | | | | | | | | | | | | | |
| 100 mm LED | 2 | | | | | | | | | | | | | | | | |
| 200 mm LED | 5 | | | | | | | | | | | | | | | | |
| Interfaces | | | | | | | | | | | | | | | | | |
| none | 0 | | | | | | | | | | | | | | | | |
| Connection | | | | | | | | | | | | | | | | | |
| 1 Rear side | | | | | | | | | | | | | | | | | |
| 2 Surface | | | | | | | | | | | | | | | | | |
| 3 Back side | | | | | | | | | | | | | | | | | |
| Dimension | | | | | | | | | | | | | | | | | |
| 0 without | | | | | | | | | | | | | | | | | |
| D simple labelling field (5 characters) | | | | | | | | | | | | | | | | | |
| Z double labelling field | | | | | | | | | | | | | | | | | |
| Version | | | | | | | | | | | | | | | | | |
| B Version B | | | | | | | | | | | | | | | | | |
| Setpoints | | | | | | | | | | | | | | | | | |
| 0 no setpoints | | | | | | | | | | | | | | | | | |
| 2 2 setpoints | | | | | | | | | | | | | | | | | |
| Protection class | | | | | | | | | | | | | | | | | |
| 1 IP65 | | | | | | | | | | | | | | | | | |
| Voltage supply | | | | | | | | | | | | | | | | | |
| 5 18-36 VDC | | | | | | | | | | | | | | | | | |
| S 100-240 VAC | | | | | | | | | | | | | | | | | |
| Measuring input | | | | | | | | | | | | | | | | | |
| 3 Pulse input | | | | | | | | | | | | | | | | | |
| Analog output | | | | | | | | | | | | | | | | | |
| 0 without | | | | | | | | | | | | | | | | | |
| Sensor supply | | | | | | | | | | | | | | | | | |
| 0 without | | | | | | | | | | | | | | | | | |
| 3 24 VDC / 50 mA | | | | | | | | | | | | | | | | | |